
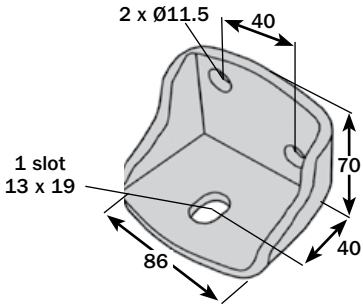

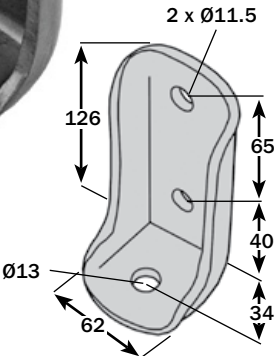

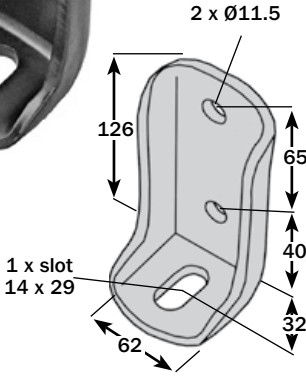

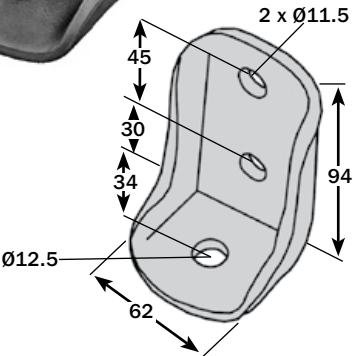

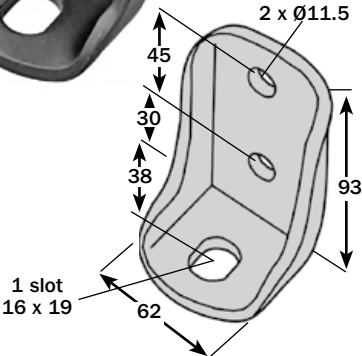

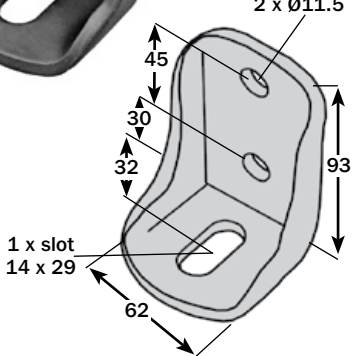
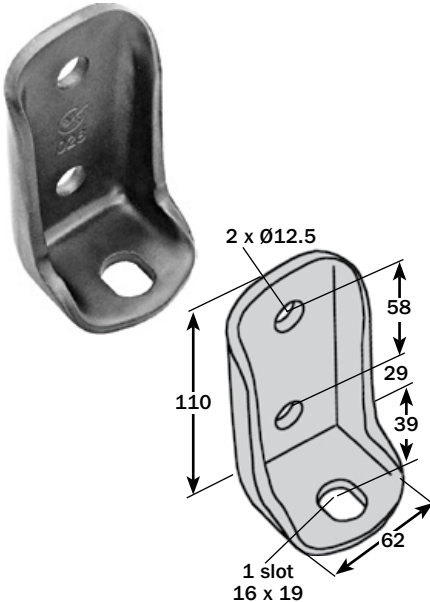
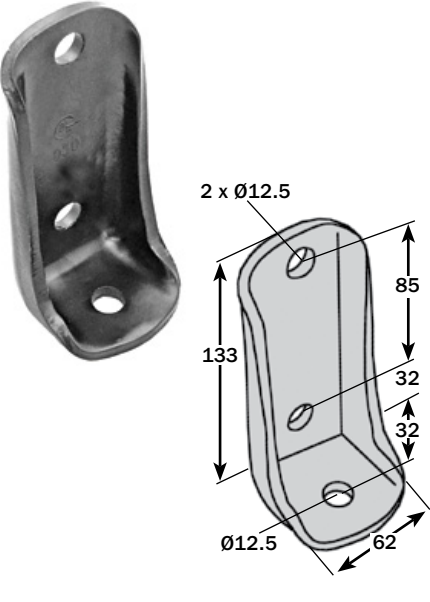
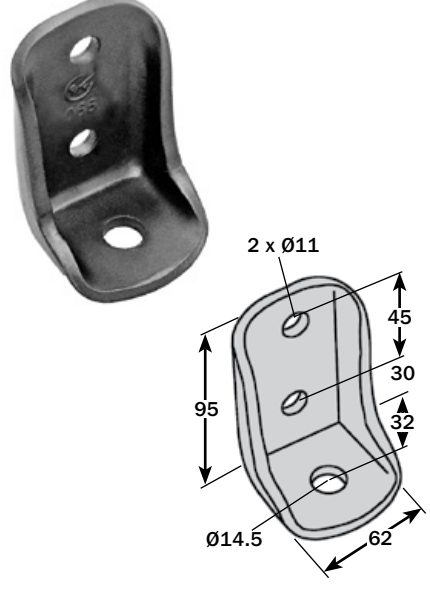
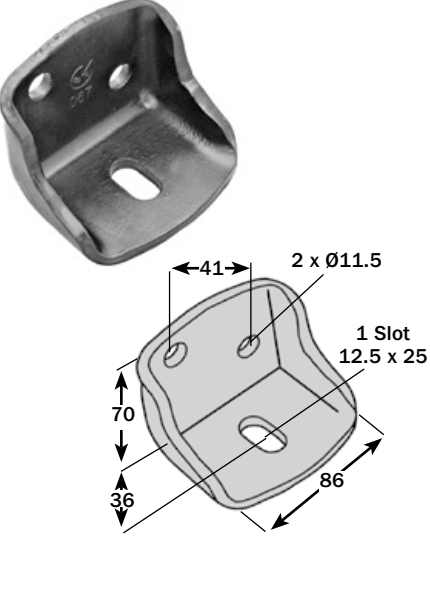
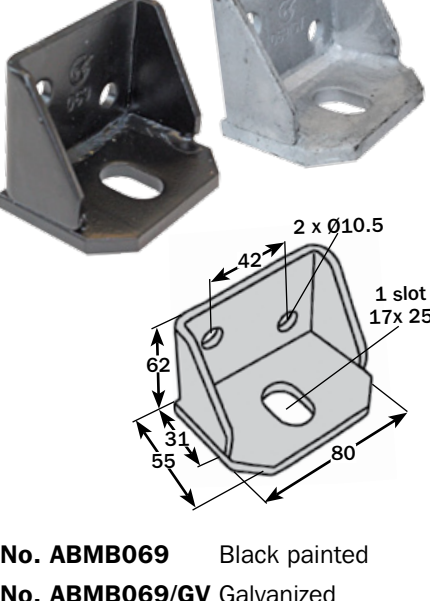
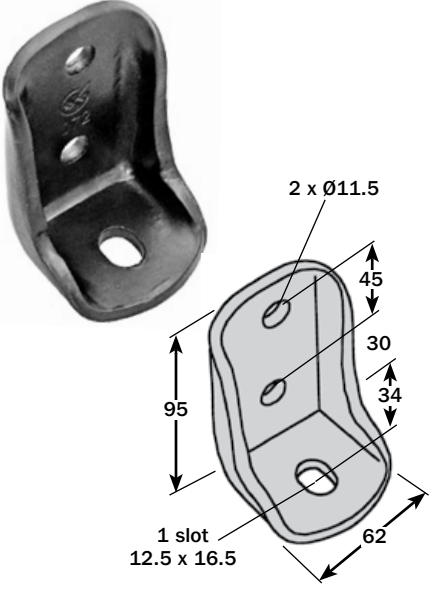


# BODY MOUNTING FITTINGS

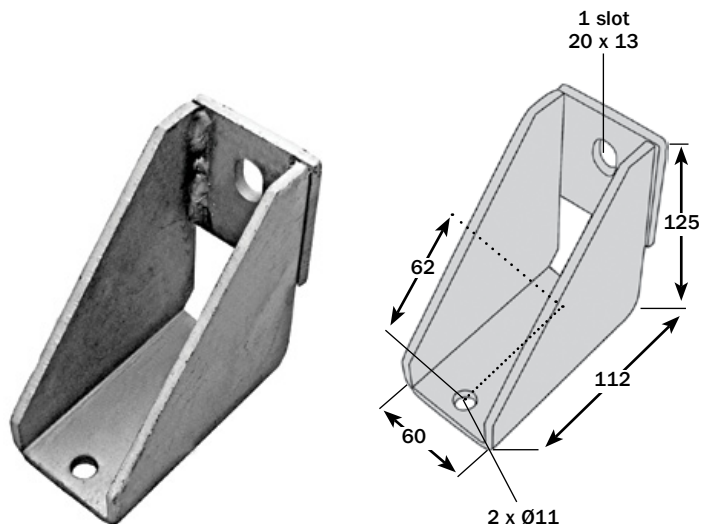
<p><b>Universal Body Mounting Bracket</b></p>   <p><b>No. ABMB006</b> wgt. 0.43kg</p> <ul style="list-style-type: none"> <li>For use on chassis with 75 or 100mm runners</li> <li>Epoxy coated 5mm pressed steel</li> </ul>	<p><b>Universal Body Mounting Bracket</b></p>   <p><b>No. ABMB007</b> wgt. 0.45kg</p> <ul style="list-style-type: none"> <li>For use on chassis with 125mm runners</li> <li>Epoxy coated 6mm pressed steel</li> </ul>	<p><b>Universal Body Mounting Bracket</b></p>   <p><b>No. ABMB007/14</b> wgt. 0.45kg</p> <ul style="list-style-type: none"> <li>For use on chassis with 125mm runners</li> <li>Epoxy coated 6mm pressed steel</li> </ul>
<p><b>Universal Body Mounting Bracket</b></p>   <p><b>No. ABMB022</b> wgt. 0.35kg</p> <ul style="list-style-type: none"> <li>For use on chassis with 100mm runners</li> <li>Epoxy coated 6mm pressed steel</li> </ul>	<p><b>Universal Body Mounting Bracket</b></p>   <p><b>No. ABMB023</b> wgt. 0.36kg</p> <ul style="list-style-type: none"> <li>For use on chassis with 100mm runners</li> <li>Epoxy coated 6mm pressed steel</li> </ul>	<p><b>Universal Body Mounting Bracket</b></p>   <p><b>No. ABMB023/14</b> wgt. 0.36kg</p> <ul style="list-style-type: none"> <li>For use on chassis with 100mm runners</li> <li>Epoxy coated 6mm pressed steel</li> </ul>

# BODY MOUNTING FITTINGS

<p><b>Universal Body Mounting Bracket</b></p>  <p>2 x Ø12.5 110 58 29 39 62 1 slot 16 x 19</p> <p><b>No. ABMB028</b> wtg. 0.40kg</p> <ul style="list-style-type: none"> <li>● For use on chassis with 125mm and 150mm runners</li> <li>● Epoxy coated 6mm pressed steel</li> </ul>	<p><b>Universal Body Mounting Bracket</b></p>  <p>2 x Ø12.5 133 85 32 32 Ø12.5 62</p> <p><b>No. ABMB030</b> wtg. 0.43kg</p> <ul style="list-style-type: none"> <li>● For use on chassis with 150mm runners</li> <li>● Epoxy coated 6mm pressed steel</li> </ul>	<p><b>Universal Body Mounting Bracket</b></p>  <p>2 x Ø11 95 45 30 32 Ø14.5 62</p> <p><b>No. ABMB066</b> wtg. 0.35kg</p> <ul style="list-style-type: none"> <li>● For use on chassis with 100mm runners.</li> <li>● Epoxy coated 6mm pressed steel</li> </ul>
<p><b>Universal Body Mounting Bracket</b></p>  <p>41 2 x Ø11.5 1 Slot 12.5 x 25 70 36 86</p> <p><b>No. ABMB067</b> wtg. 0.42kg</p> <ul style="list-style-type: none"> <li>● For use on chassis with 75mm runners</li> <li>● Epoxy coated 6mm pressed steel</li> </ul>	<p><b>Universal Body Mounting Bracket</b></p>  <p>2 x Ø10.5 42 1 slot 17 x 25 62 31 55 80</p> <p><b>No. ABMB069</b> Black painted <b>No. ABMB069/GV</b> Galvanized wtg. 0.51kg</p> <ul style="list-style-type: none"> <li>● For use on chassis with 75-100mm runners</li> <li>● 5mm fabricated steel</li> <li>● Epoxy coated or galvanized finish</li> </ul>	<p><b>Universal Body Mounting Bracket</b></p>  <p>2 x Ø11.5 45 30 34 95 1 slot 12.5 x 16.5 62</p> <p><b>No. ABMB072</b> wtg. 0.36kg</p> <ul style="list-style-type: none"> <li>● For use on chassis with 100mm runners</li> <li>● Epoxy coated 6mm pressed steel</li> </ul>

# BODY MOUNTING FITTINGS

**Mercedes/Volkswagen**  
Body Mounting Bracket  
Inner longitudinal bracket suits Mercedes Sprinter  
& Volkswagen Crafter 3.5 tonne GVW



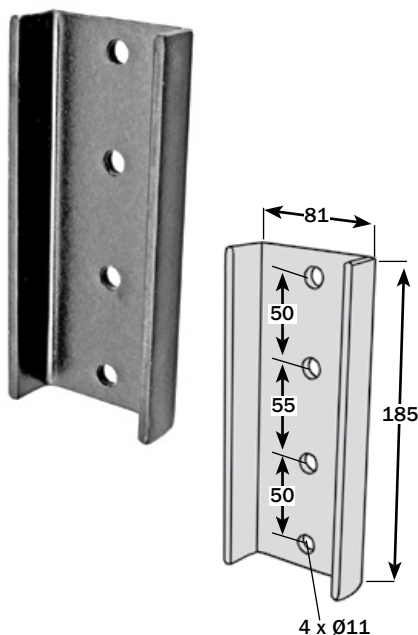
No. **ABMB075/125GV**

wgt. 1.17kg

- Galvanized 6mm fabricated steel
- Suits 125mm runner – *Check for suitability*

Works in conjunction with  
**ABMB007/14**

**Body Mounting Channel**

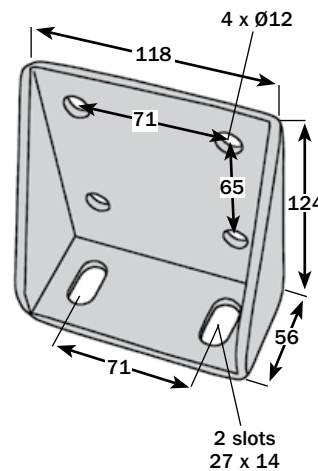


No. **ABMB18581/BLK**

wgt. 1.02kg

- Epoxy coated 5mm steel

**Mercedes Sprinter/Volkswagen Crafter 2006 onwards**  
Upper Body Mounting Bracket



No. **ABMB088/MV**

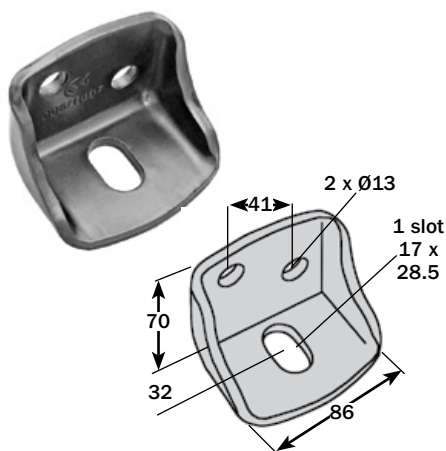
wgt. 0.80kg

- Suits 125mm runner
- Epoxy coated 6mm steel
- Standard Chassis: Suits the first 2 mountings on each side of the chassis directly behind the cab
- Double cab: Suits the first mountings on each side of the chassis directly behind the cab – *Check for suitability*



# BODY MOUNTING FITTINGS

## DAF Upper Initial Front Body Mounting Bracket

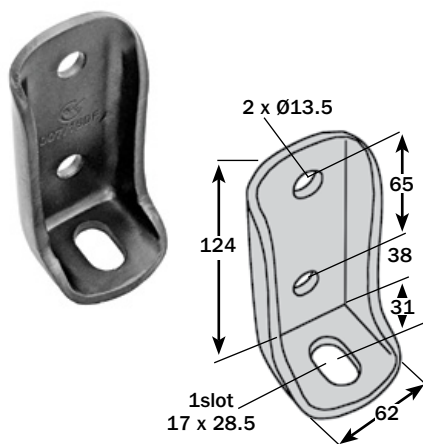


**No. ABMB006/16DF**  
 wgt. 0.43kg

- For use on chassis with 100 & 125mm runners
  - Epoxy coated 6mm pressed steel
  - Suits LF Range Euro 4, 5 & 6
- Check for suitability*

*\*It is recommended that 16mm HT bolts are used to connect the upper & lower brackets*

## DAF Upper Intermediate Body Mounting Bracket



**No. ABMB007/16DF**  
 wgt. 0.45kg

- For use on chassis with 125mm runners
  - Epoxy coated 6mm pressed steel
  - Suits LF Range Euro 4, 5 & 6
- Check for suitability*

*\*It is recommended that 16mm HT bolts are used to connect the upper & lower brackets*

## DAF Upper Intermediate Body Mounting Bracket

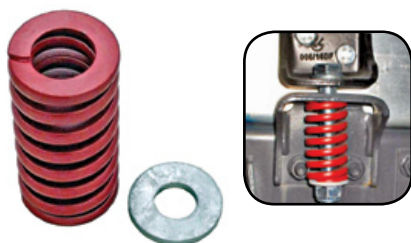


**No. ABMB023/16DF**  
 wgt. 0.36kg

- For use on chassis with 100mm runners
- Epoxy coated 6mm pressed steel

*\*It is recommended that 16mm HT bolts are used to connect the upper & lower brackets*

## Body Mounting Spring & Washer Set

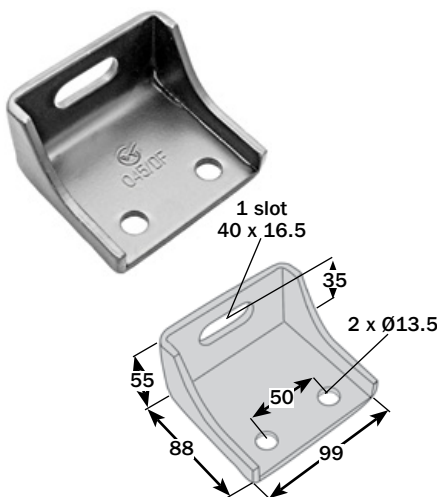


**No. ABMB044/SPR** 1 x Spring  
 wgt. 0.28kg 1 x Washer  
 Spring: 76 x Ø39 x 21.5mm i/d  
 Red painted  
 Washer: 4 x Ø36 x 16.5mm i/d  
 Galvanized finish

**ABMB044/WA/GV**  
 4 x Ø36mm x 16.5mm i/d

- Washer only
- \*Where required, spring & washer to be fitted to the first and second mountings on each side of the chassis.*  
*! To achieve the recommended pre-load, the spring must be tightened/reduced to a length of 70mm*

## DAF Lower (Front) Body Mounting Bracket

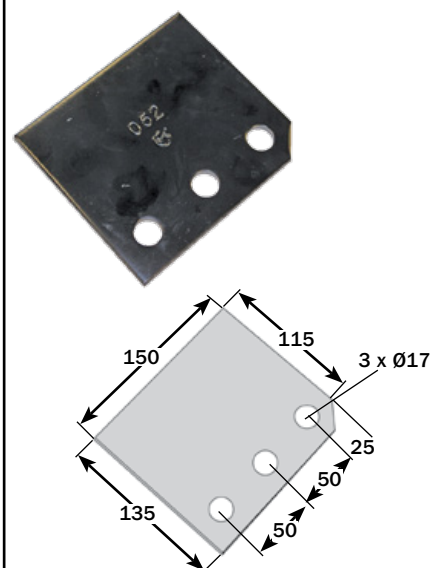


**No. ABMB045/DF**  
 wgt. 0.71kg

- Epoxy coated 6mm fabricated steel
  - Suits LF Range Euro 4, 5 & 6
- Check for suitability*

*\*It is recommended that 16mm HT bolts are used to connect the upper & lower brackets*

## DAF Guide Plate

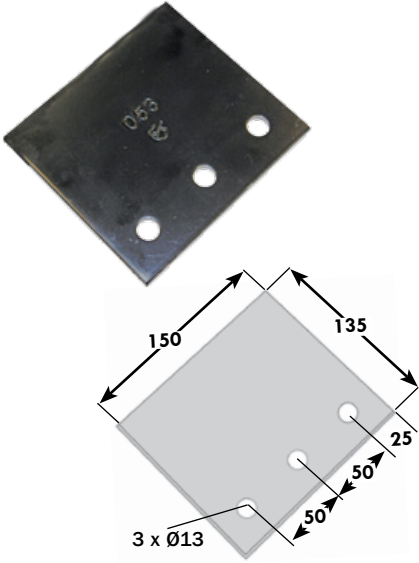
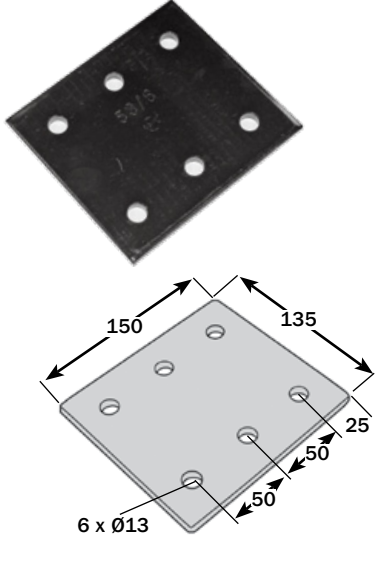
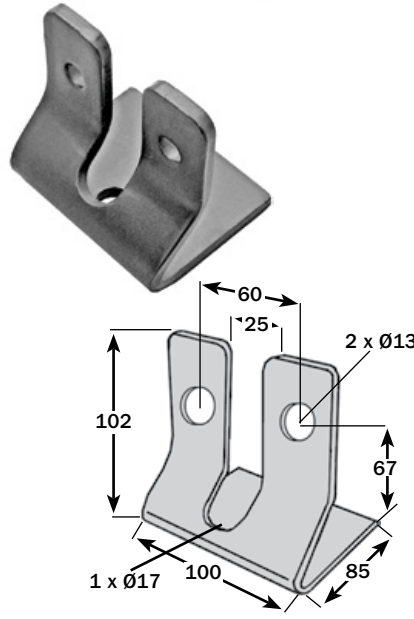
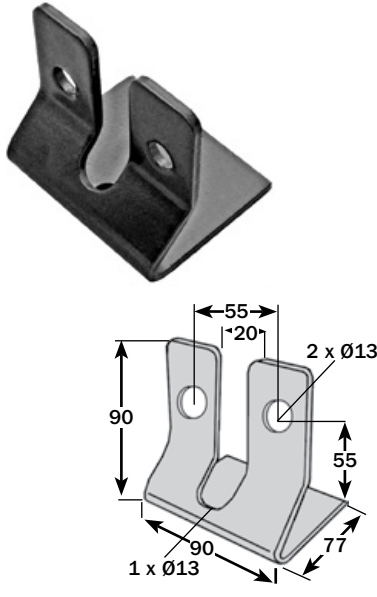
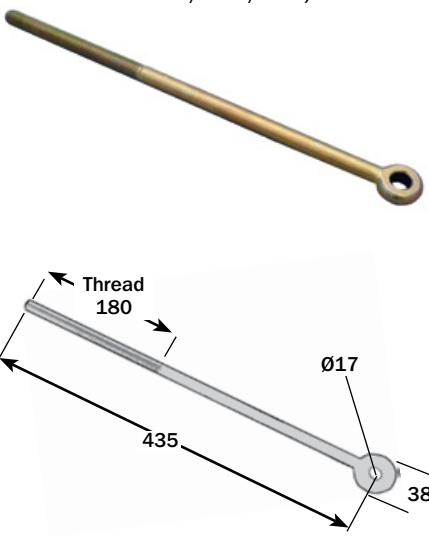
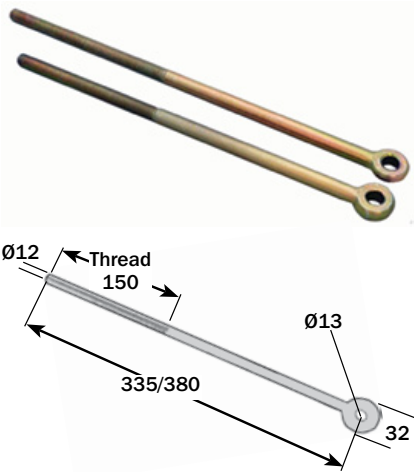


**No. ABMB52**  
 wgt. 1.17kg

- To suit LF Range Euro 4, 5 & 6
  - Epoxy coated 8mm steel
- Check for suitability*

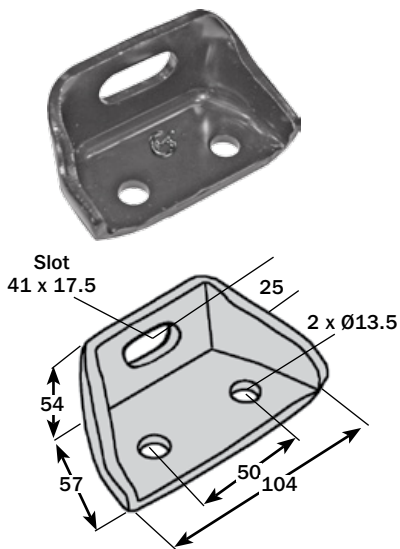


# BODY MOUNTING FITTINGS

<p><b>DAF</b> Retainer Plate (weld on)</p>  <p><b>No. ABMB53</b> wgt. 1.20kg</p> <ul style="list-style-type: none"> <li>Suits LF Range Euro 4, 5 &amp; 6 <i>Check for suitability</i></li> <li>Epoxy coated 8mm steel</li> </ul> <p><i>*To be used when a rigid joint between the chassis &amp; body subframe is required (i.e. fitment of tail lift)</i></p>	<p><b>DAF</b> Retainer Plate (bolt on)</p>  <p><b>No. ABMB53/6</b> wgt. 1.18kg</p> <ul style="list-style-type: none"> <li>Suits LF Range Euro 4, 5 &amp; 6 <i>Check for suitability</i></li> <li>Epoxy coated 8mm steel</li> </ul> <p><i>*To be used when a rigid joint between the chassis &amp; body subframe is required (i.e. fitment of tail lift)</i></p>	<p><b>DAF</b> Body Mounting Bracket</p>  <p><b>No. ABMB550/DF</b> wgt. 0.98kg</p> <ul style="list-style-type: none"> <li>To suit various older LF55 &amp; 65, CF65, 75, 85 – <i>check for suitability</i></li> <li>Epoxy coated 8mm pressed steel</li> </ul>
<p><b>DAF</b> Mounting Bracket</p>  <p><b>No. ABMB551/DF</b> wgt. 0.44kg</p> <ul style="list-style-type: none"> <li>To suit older LF45 Series <i>Check for suitability</i></li> <li>Epoxy coated 5mm pressed steel</li> </ul>	<p><b>DAF</b> Tie Bar (LF55 &amp; 65, CF65, 75, 85)</p>  <p><b>No. ABMB754</b> 435mm wgt. 0.62kg</p> <ul style="list-style-type: none"> <li>Bolt on Ø16mm</li> <li>Gold passivate finish</li> <li>Suitable for use with No. <b>ABMB550/DF</b></li> </ul>	<p><b>DAF</b> Tie Bar (LF45 Series)</p>  <p><b>No. ABMB755</b> 380mm wgt. 0.32kg</p> <p><b>No. ABMB755/335</b> 335mm wgt. 0.28kg</p> <ul style="list-style-type: none"> <li>Bolt on Ø12mm</li> <li>Gold passivate finish</li> <li>Suitable for use with No. <b>ABMB551/DF</b></li> </ul>

# BODY MOUNTING FITTINGS

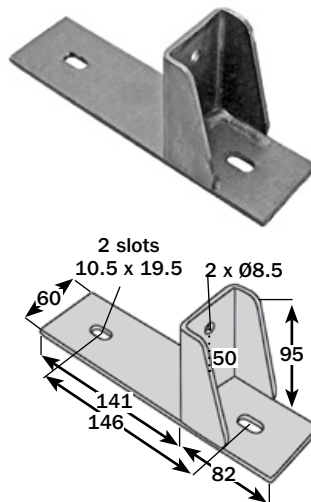
**DAF Lower**  
Body Mounting Bracket



**No. ABMB062/DF**  
wgt. 0.88kg

- Suits various LF Euro 6 Range  
*Check for suitability*
- Epoxy coated 6mm pressed steel
- \*It is recommended that HT bolts are used to connect the upper & lower brackets

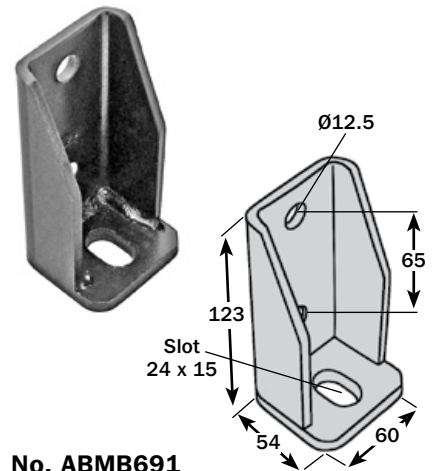
**Body Mounting Bracket**



**No. ABMB705B**  
wgt. 0.86kg

- Suitable for Citroen Relay, Fiat Ducato, Peugeot Boxer, pre 2010 models – *Check for suitability*
- To suit 100mm runner
- Epoxy coated 5mm fabricated steel

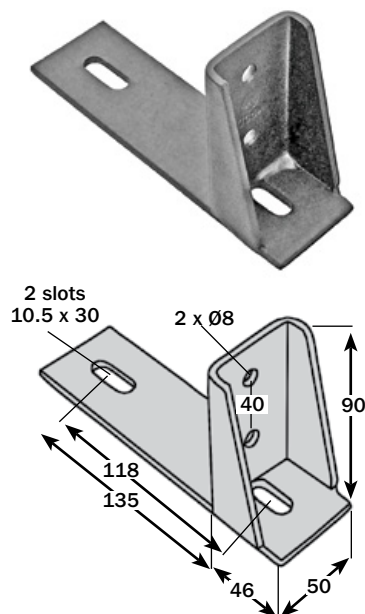
**MAN/Mitsubishi/Renault**  
Body Mounting Bracket



**No. ABMB691**  
wgt. 0.64kg

- 17 tonne MAN Upper bracket
- Mitsubishi Canter lower bracket
- 17 tonne Renault Midlum upper bracket
- For use with 125 & 150mm runners with slotted hole  
*Check for suitability*
- Epoxy coated 6mm fabricated steel

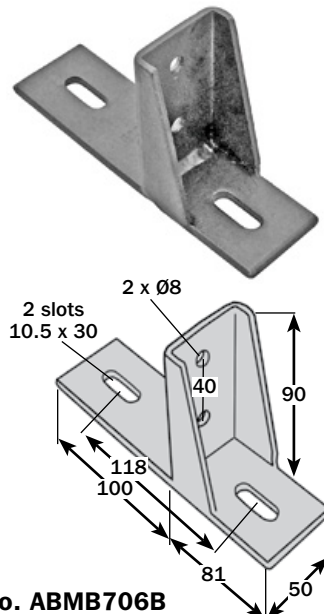
**Body Mounting Bracket**



**No. ABMB706A**  
wgt. 0.62kg

- Suitable for Ford Transit (pre-April 2000), Mercedes Sprinter, LDV  
*Check for suitability*
- Epoxy coated fabricated steel

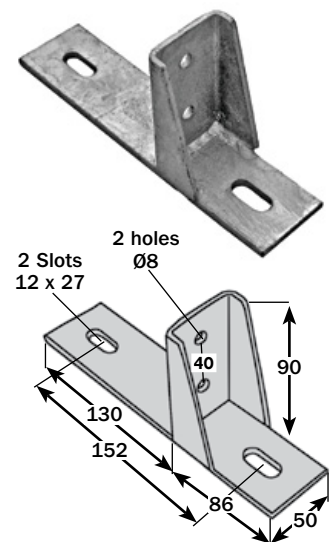
**Body Mounting Bracket**



**No. ABMB706B**  
wgt. 0.62kg

- Suitable for Ford Transit (pre-April 2000), Mercedes Sprinter, LDV, Volkswagen LT Range  
*Check for suitability*
- Epoxy coated fabricated steel

**Body Mounting Bracket**



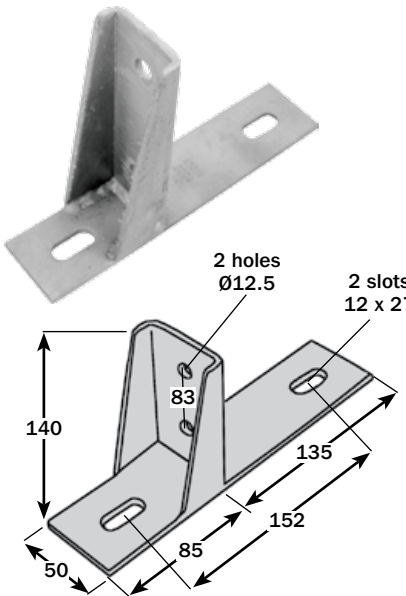
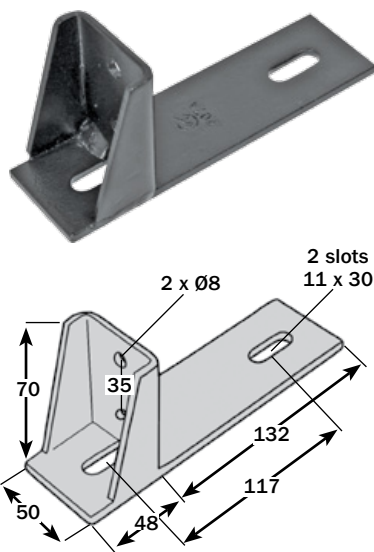
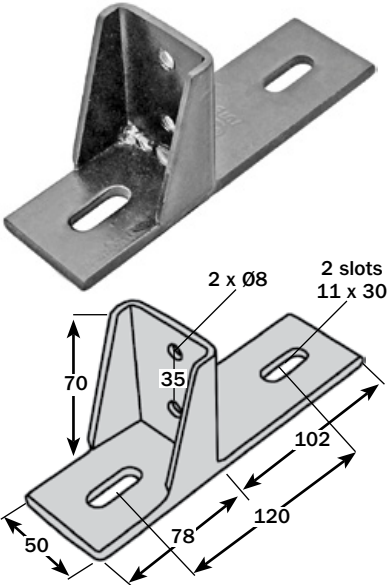





**No. ABMB706B/90GV**  
wgt. 0.73kg

- Suitable for Renault Master, Vauxhall Movano, Citroen Relay, Fiat Ducato, Peugeot Boxer 2010 chassis onwards. To suit 100mm runners – *Check for suitability*
- Galvanized fabricated steel



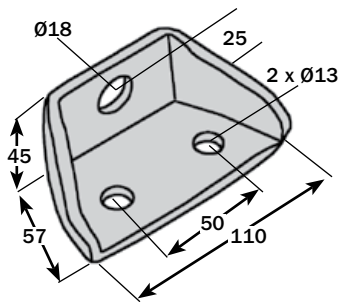


# BODY MOUNTING FITTINGS

<p><b>Body Mounting Bracket</b></p>  <p><b>No. ABMB706B/140GV</b> wtg. 0.89kg</p> <ul style="list-style-type: none"> <li>● Suitable for Renault Master and Vauxhall Movano. To suit 150mm runners – <i>Check for suitability</i></li> <li>● Galvanized fabricated steel</li> </ul>	<p><b>Body Mounting Bracket</b></p>  <p><b>No. ABMB707A</b> wtg. 0.60kg</p> <ul style="list-style-type: none"> <li>● Suitable for Ford Transit (Pre-April 2000), Mercedes Sprinter, LDV, Volkswagen LT Range <i>Check for suitability</i></li> <li>● Epoxy coated fabricated steel</li> </ul>	<p><b>Body Mounting Bracket</b></p>  <p><b>No. ABMB707B</b> wtg. 0.60kg</p> <ul style="list-style-type: none"> <li>● Suitable for Ford Transit (Pre-April 2000), Mercedes Sprinter, LDV, Volkswagen LT Range <i>Check for suitability</i></li> <li>● Epoxy coated fabricated steel</li> </ul>
<p><b>Body Clamp</b></p>		
<p><b>No. ABMB760/36GV</b>                      Size: 126 x 51mm wtg. 0.54kg Suits chassis thickness 3-4mm &amp; 5-6mm</p> <ul style="list-style-type: none"> <li>● 28 x 15.5mm slotted hole</li> <li>● Diamond / Patterned face</li> <li>● Drop forged steel, galvanized</li> </ul>		
<p><b>No. ABMB760/36</b>                      Size: 126 x 47mm wtg. 0.54kg Suits chassis thickness 3-4mm &amp; 5-6mm</p> <ul style="list-style-type: none"> <li>● 27 x 17.0mm slotted hole</li> <li>● Drop forged steel, galvanized</li> </ul>		
<p><b>No. ABMB760/48</b>                      Size: 125 x 51mm wtg. 0.83kg Suits chassis thickness 4-5mm &amp; 5-8mm</p> <ul style="list-style-type: none"> <li>● 24 x 14.5mm slotted hole</li> <li>● Drop forged steel, galvanized</li> </ul>		
<p><b>No. ABMB760/712</b>                      Size 125 x 51mm wtg. 0.70kg Suits chassis thickness 7-8mm &amp; 10-12mm</p> <ul style="list-style-type: none"> <li>● 24 x 14.5mm slotted hole</li> <li>● Drop forged steel, galvanized</li> </ul>		
<p><b>No. ABMB760/1016</b>                      Size: 129 x 60mm wtg. 0.96kg Suits chassis thickness 10-12mm &amp; 14-16mm</p> <ul style="list-style-type: none"> <li>● 24 x 16.5mm slotted hole</li> <li>● Drop forged steel, galvanized</li> </ul>		

# BODY MOUNTING FITTINGS

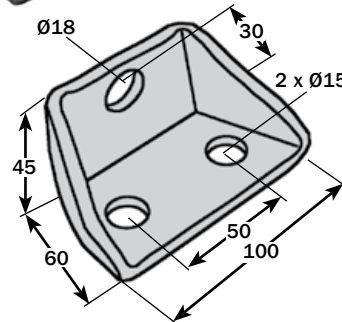
**Mercedes Atego Lower  
Body Mounting Bracket**



**No. ABMB051**  
wgt. 0.34kg

- To suit Atego 816-1024 Atego 1218-1529  
*Check for suitability*
- Epoxy coated 6mm pressed steel

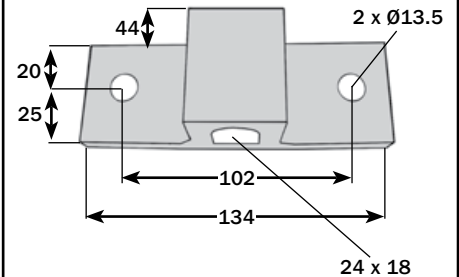
**Mercedes Axor/Actros  
Lower  
Body Mounting Bracket**



**No. ABMB058**  
wgt. 0.33kg

- To suit Axor 1824-2633 Actros 1832L-2560L  
*Check for suitability*
- Epoxy coated 6mm pressed steel

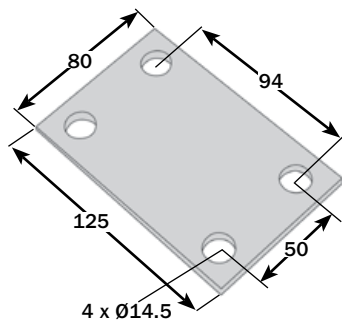
**Mercedes Atego Lower  
Front Body Mounting Bracket**



**No. ABMB080**  
wgt. 0.72kg

- To suit Atego 816-1024 Atego 1218-1529  
*Check for suitability*
- Epoxy coated 10mm fabricated steel

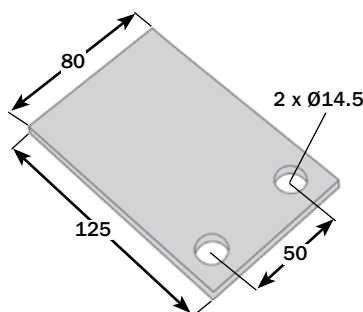
**Mercedes Atego  
Attachment Plate**



**No. ABMB082**  
wgt. 0.59kg

- To suit Atego 816-1024  
*Check for suitability*
- Epoxy coated 8mm steel

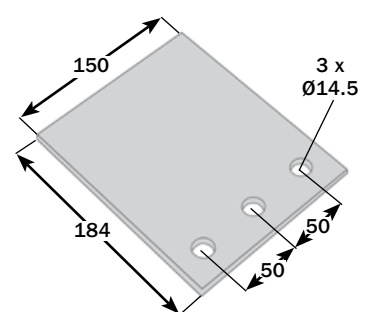
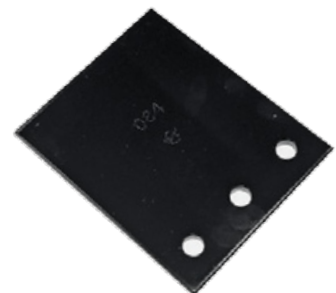
**Mercedes Atego  
Guide Plate**



**No. ABMB083**  
wgt. 0.61kg

- To suit Atego 816-1024  
*Check for suitability*
- Epoxy coated 8mm steel

**Mercedes Atego  
Guide Plate**




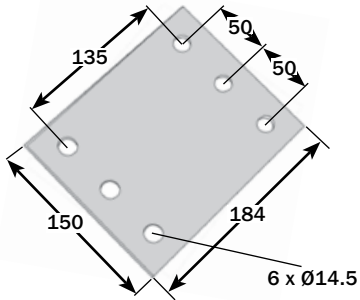

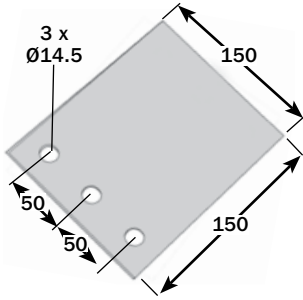

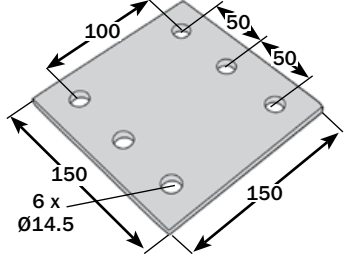
**No. ABMB084**  
wgt. 1.66kg

- To suit Atego 1218-1529  
*Check for suitability*
- Epoxy coated 8mm steel

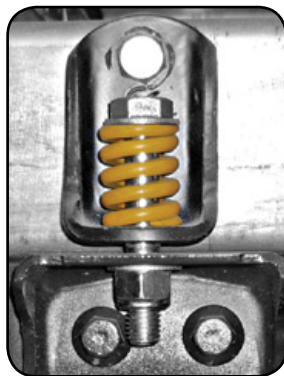




# BODY MOUNTING FITTINGS

<p><b>Mercedes Atego Attachment Plate</b></p>   <p><b>No. ABMB085</b> wgt. 1.62kg</p> <ul style="list-style-type: none"> <li>To suit Atego 1218-1529 <i>Check for suitability</i></li> <li>Epoxy coated 8mm steel</li> </ul>	<p><b>Mercedes Axor/Actros Guide Plate</b></p>   <p><b>No. ABMB086</b> wgt. 1.31kg</p> <ul style="list-style-type: none"> <li>To suit Axor 1824-2633 Actros 1832L-2560L – <i>Check for suitability</i></li> <li>Epoxy coated 8mm steel</li> </ul>	<p><b>Mercedes Axor/Actros Attachment Plate</b></p>   <p><b>No. ABMB087</b> wgt. 1.31kg</p> <ul style="list-style-type: none"> <li>To suit Axor 1824-2633 Actros 1832L-2560L – <i>Check for suitability</i></li> <li>Epoxy coated 8mm steel</li> </ul>
--	---	--

## Body Mounting Spring



Mounted Photo

**No. ABMB0237/SPR** Yellow painted  
wgt. 0.11kg  
Spring: Outer diameter 44 x 31mm  
Inner diameter 16.5mm

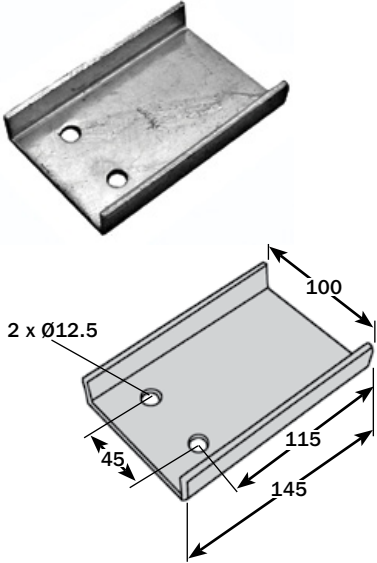
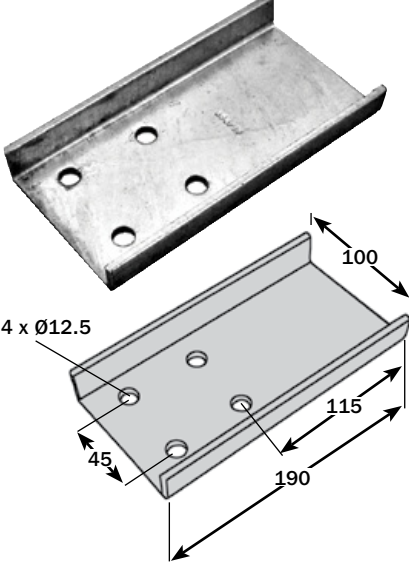
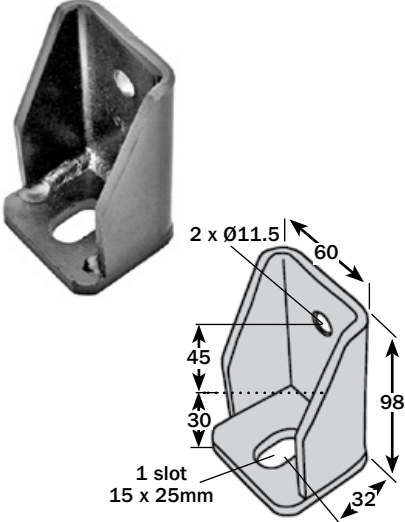
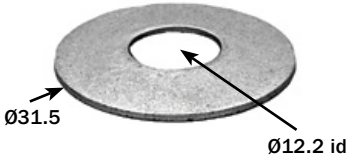
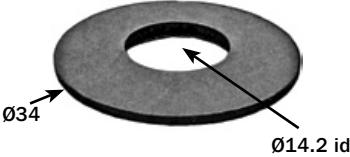
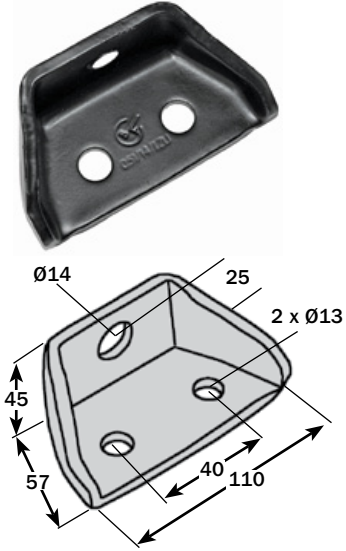
- Suits all Mercedes Atego/Axor/Actros chassis (except tippers) spring to be fitted to the first mounting brackets on each side of the chassis directly behind the cab.
- Suits Mercedes, Iveco chassis and Isuzu chassis
- Suitable for use with **ABMB023/14**, **ABMB007/14** & **ABMB051/14/IZU** Mounting Brackets
- To achieve recommended pre-load the spring must be tightened/reduced to a length of 38mm (approx. 6mm). Check for suitability



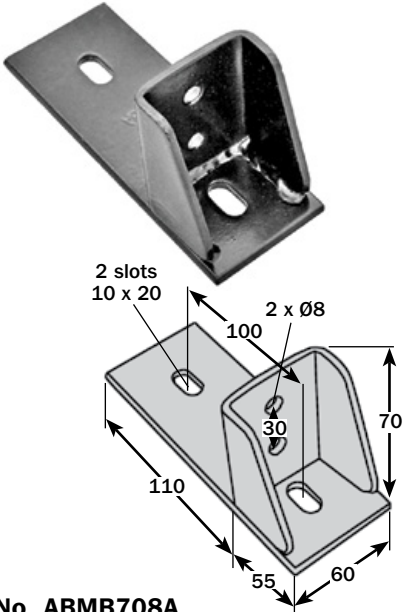
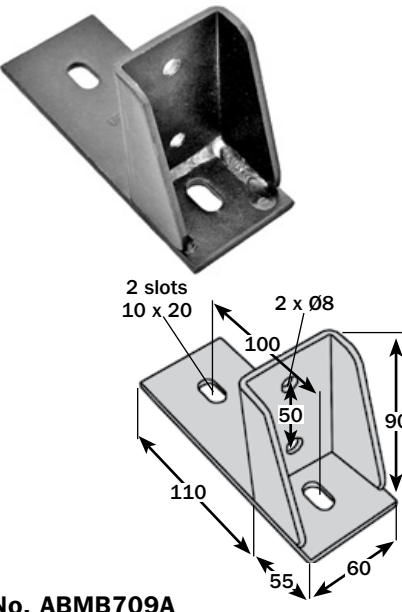
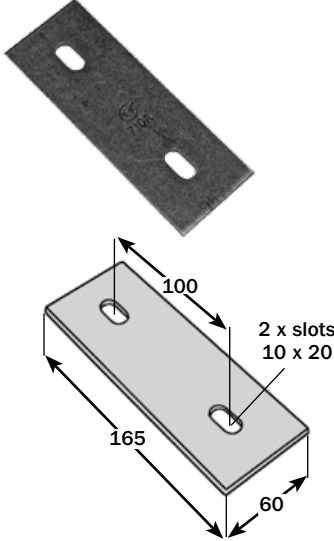
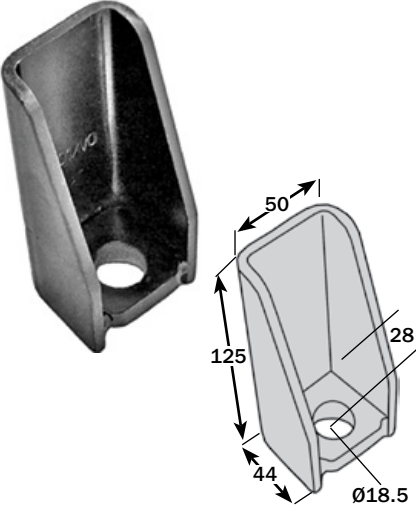
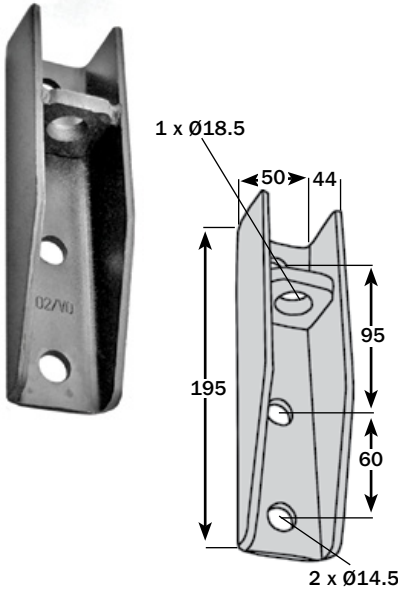
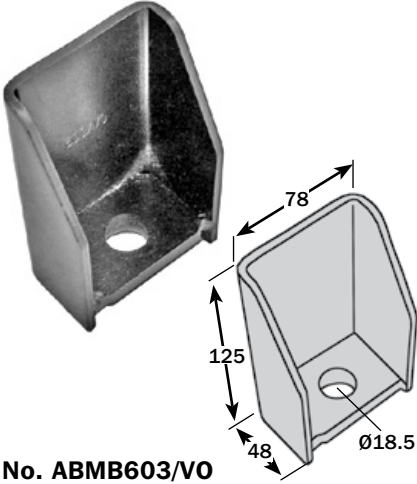
**P58-62**

**P220-229**

# BODY MOUNTING FITTINGS

<p style="text-align: center;"><b>Iveco</b> Chassis Bracket</p>  <p><b>No. ABMB695/IV</b> wgt. 0.88kg</p> <ul style="list-style-type: none"> <li>● To suit chassis to runner</li> <li>● Can be welded to steel runner or bolted to aluminium runner</li> <li>● <i>Check for suitability</i></li> <li>● Galvanized 6mm pressed steel</li> </ul>	<p style="text-align: center;"><b>Iveco</b> Chassis Bracket</p>  <p><b>No. ABMB696/IV</b> wgt. 1.13kg</p> <ul style="list-style-type: none"> <li>● To suit chassis to runner</li> <li>● Can be welded to steel runner or bolted to aluminium runner</li> <li>● <i>Check for suitability</i></li> <li>● Galvanized 6mm pressed steel</li> </ul>	<p style="text-align: center;"><b>Iveco/Cargo</b> Upper Pedestal Bracket</p>  <p><b>No. ABMB692</b> wgt. 0.56kg</p> <ul style="list-style-type: none"> <li>● For use on chassis with 100mm runners</li> <li>● <i>Check for suitability</i></li> <li>● Epoxy coated 6mm fabricated steel</li> </ul>
<p style="text-align: center;"><b>Disc Spring Washer</b></p>  <p><b>No. ABMB03</b> wgt. 0.50kg/100</p> <ul style="list-style-type: none"> <li>● 1mm Zinc plated steel</li> </ul>	<p style="text-align: center;"><b>Disc Spring Washer</b></p>  <p><b>No. ABMB03/14</b> wgt. 0.80kg/100</p> <ul style="list-style-type: none"> <li>● 1.5mm Phosphoric coated steel</li> </ul>	<p style="text-align: center;"><b>Isuzu</b> Chassis Bracket</p>  <p><b>No. ABMB051/14/IZU</b> wgt. 0.34kg</p> <ul style="list-style-type: none"> <li>● Suits Graftor chassis</li> <li>● To suit chassis to runner</li> <li>● <i>Check for suitability</i></li> <li>● Epoxy coated 6mm pressed steel</li> </ul>

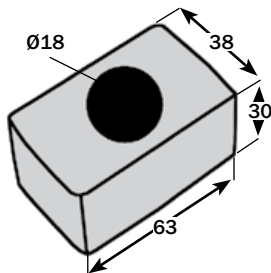
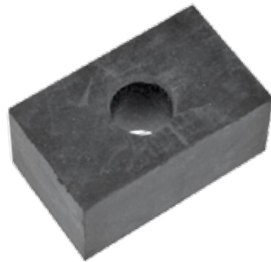
# BODY MOUNTING FITTINGS

<p><b>Ford Transit</b> Body Mounting Bracket</p>  <p>2 slots 10 x 20</p> <p>2 x Ø8</p> <p>100</p> <p>30</p> <p>70</p> <p>110</p> <p>55</p> <p>60</p> <p><b>No. ABMB708A</b> wgt. 0.65kg</p> <ul style="list-style-type: none"> <li>To suit 75mm runners on all new transits from April 2000</li> <li><i>Check for suitability</i></li> <li>Epoxy coated fabricated steel</li> </ul>	<p><b>Ford Transit</b> Body Mounting Bracket</p>  <p>2 slots 10 x 20</p> <p>2 x Ø8</p> <p>100</p> <p>50</p> <p>90</p> <p>110</p> <p>55</p> <p>60</p> <p><b>No. ABMB709A</b> wgt. 0.72kg</p> <ul style="list-style-type: none"> <li>To suit 100mm runners on all new transits from April 2000</li> <li><i>Check for suitability</i></li> <li>Epoxy coated fabricated steel</li> </ul>	<p><b>Ford Transit</b> Base Plate</p>  <p>100</p> <p>2 x slots 10 x 20</p> <p>165</p> <p>60</p> <p><b>No. ABMB710A</b> wgt. 0.38kg</p> <ul style="list-style-type: none"> <li>To suit all new transits from April 2000</li> <li><i>Check for suitability</i></li> <li>Self colour 5mm steel</li> </ul>
<p><b>Volvo FM Series</b> Upper Body Mounting Bracket</p>  <p>50</p> <p>125</p> <p>28</p> <p>44</p> <p>Ø18.5</p> <p><b>No. ABMB601/VO</b> wgt. 0.64kg</p> <ul style="list-style-type: none"> <li>Weld on</li> <li>Models FL4, FL6, FL7 &amp; FL10</li> <li>For use on steel sub-frame, rigid type bodies</li> <li><i>Check for suitability</i></li> <li>Epoxy coated 5mm fabricated steel</li> </ul>	<p><b>Volvo</b> Lower Body Mounting Bracket</p>  <p>1 x Ø18.5</p> <p>50</p> <p>44</p> <p>95</p> <p>195</p> <p>60</p> <p>2 x Ø14.5</p> <p><b>No. ABMB602/VO</b> wgt. 0.92kg</p> <ul style="list-style-type: none"> <li>Models FL616, FL7 &amp; FL10</li> <li><i>Check for suitability</i></li> <li>Epoxy coated 5mm fabricated steel</li> </ul>	<p><b>Volvo FM Series</b> Upper Body Mounting Bracket</p>  <p>78</p> <p>125</p> <p>48</p> <p>Ø18.5</p> <p><b>No. ABMB603/VO</b> wgt. 0.97kg</p> <ul style="list-style-type: none"> <li>Models FL4, FL6, FL7 &amp; FL10</li> <li>For use on steel sub-frame, rigid type bodies</li> <li>For use with Nos. <b>ABMB6037RP/VO</b> &amp; <b>ABMB6037WA/VO</b></li> <li><i>Check for suitability</i></li> <li>Epoxy coated 5mm fabricated steel</li> </ul>



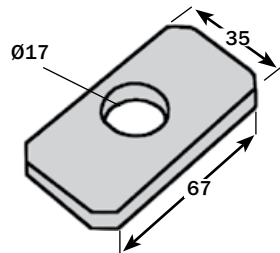
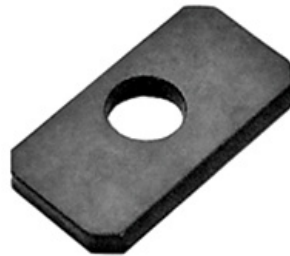
# BODY MOUNTING FITTINGS

## Volvo FM Series Rubber Pad & Washer



**No. ABMB6037RP/VO**  
wgt. 0.10kg

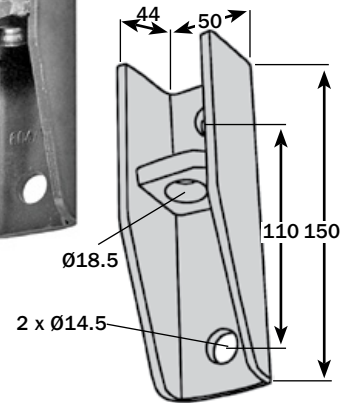
- For use with Nos. **ABMB603/VO** & **ABMB607/VO**
- Natural rubber, black



**No. ABMB6037WA/VO**  
wgt. 0.12kg

- For use with Nos. **ABMB603/VO** & **ABMB607/VO**
- Epoxy coated 8mm steel

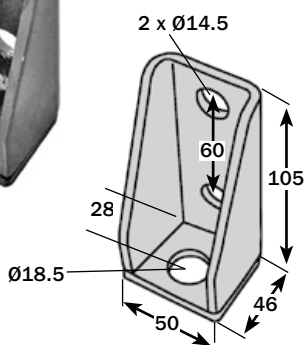
## Volvo FM Series Lower Mounting Bracket



**No. ABMB604/VO**  
wgt. 0.75kg

- Bolt on
- Models FL4, FL612 & FL614
- All body types
- *Check for suitability*
- Epoxy coated 5mm fabricated steel

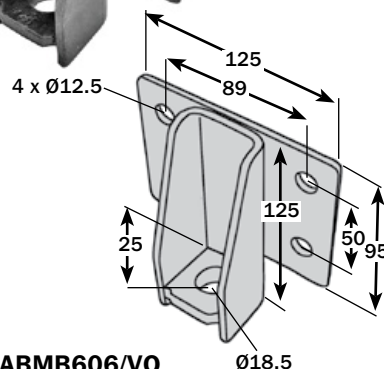
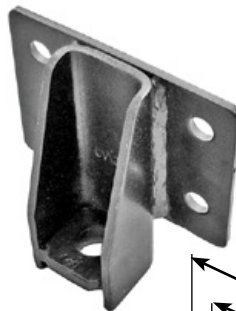
## Volvo FM Series Lower Mounting Bracket



**No. ABMB605/VO**  
wgt. 0.46kg

- Models FL618 & FS7
- A lower mounting bracket is recommended for pivoted and one way flexible mountings on the FL618 & FS7 rigid trucks
- *Check for suitability*
- Epoxy coated 5mm fabricated steel

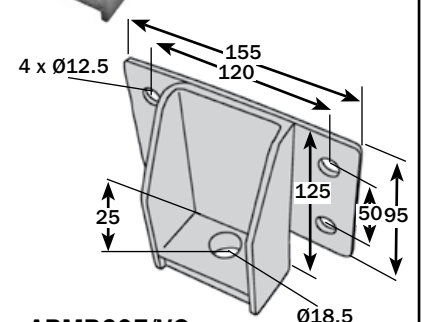
## Volvo FL/FM Series Upper Mounting Bracket



**No. ABMB606/VO**  
wgt. 1.12kg

- For use on aluminium sub-frame rigid type bodies
- *Check for suitability*
- Epoxy coated 5mm fabricated steel

## Volvo FM Series Upper Mounting Bracket



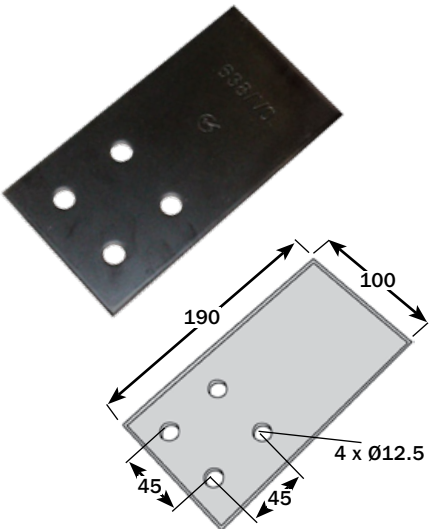
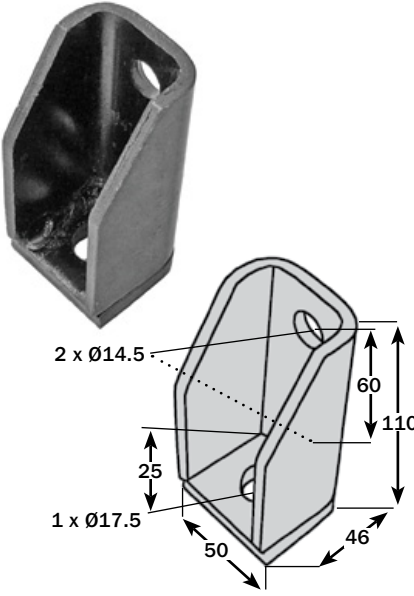
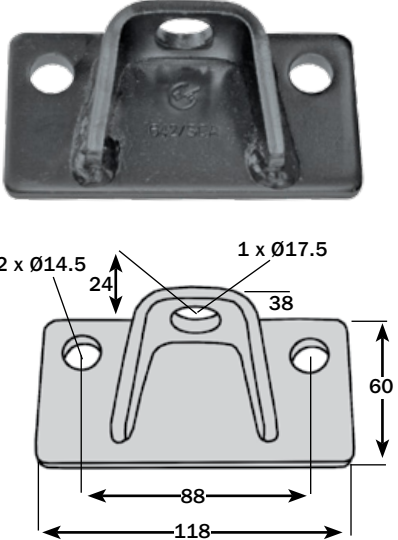
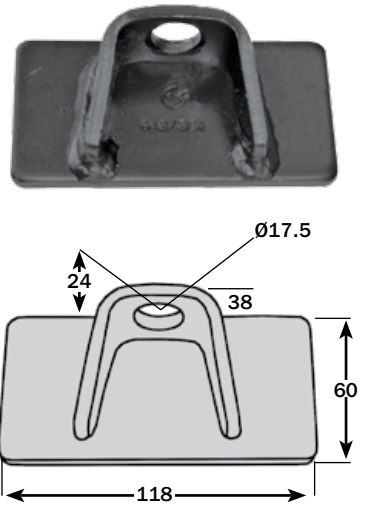
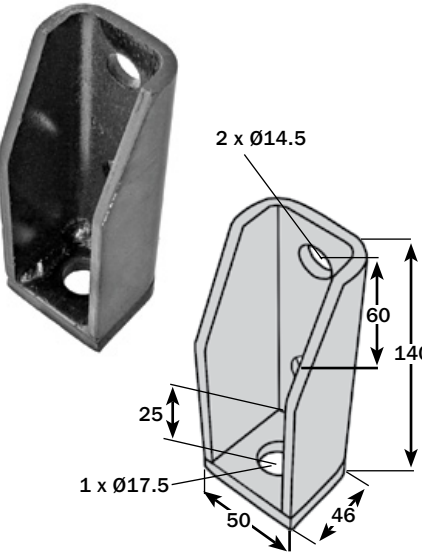
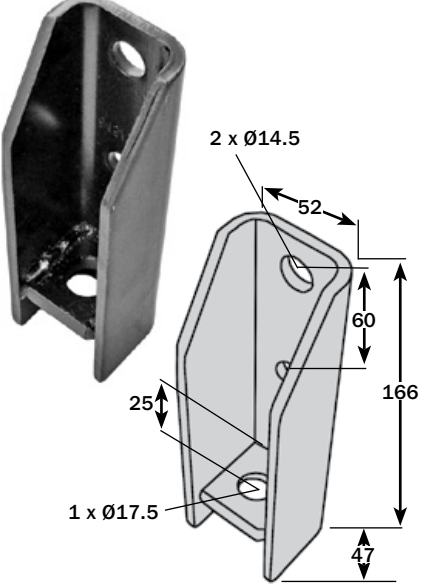
**No. ABMB607/VO**  
wgt. 1.50kg

- Models FL6, FL7 & FL10
- For use on aluminium sub-frame
- Flexible type bodies
- *Check for suitability*
- Epoxy coated 5mm fabricated steel

# BODY MOUNTING FITTINGS

<p><b>Volvo FM/FH Series</b> Upper Body Mounting Bracket</p> <p><b>No. ABMB608/VO</b> wgt. 0.73kg</p> <ul style="list-style-type: none"> <li>● Epoxy coated 6mm fabricated steel – <i>Check for suitability</i></li> </ul>	<p><b>Volvo FE/FL Series</b> Upper Body Mounting Bracket</p> <p><b>No. ABMB609/VO</b> wgt. 0.75kg</p> <ul style="list-style-type: none"> <li>● To suit models FE, FL240 &amp; FL280</li> <li>● For use with semi rigid &amp; rigid attachments <i>Check for suitability</i></li> <li>● Epoxy coated 6mm fabricated steel</li> </ul>	<p><b>Volvo FE/FL Series</b> Flexible Attachment Set</p> <p><b>No. ABMB609/RP/VO</b> wgt. 0.14kg per set Rubber Pad: H40 x Ø40mm Washers: 2 x Ø43 x 4.0mm</p> <ul style="list-style-type: none"> <li>● 80 Shore Hardness</li> <li>● To suit models FE, FL240 &amp; FL280</li> <li>● For use with <b>ABMB609/VO</b></li> <li>● When tightened the rubber must be compressed 4mm <i>Check for suitability</i></li> <li>● Also suits Renault Midlum &amp; Premium</li> </ul>
<p><b>Volvo</b> Attachment Plate</p> <p><b>No. ABMB635/VO</b> wgt. 1.70kg</p> <ul style="list-style-type: none"> <li>● Models FL4, FL6</li> <li>● For use on steel sub-frame</li> <li>● All body types – <i>Check for suitability</i></li> <li>● Epoxy coated 8mm steel</li> </ul>	<p><b>Volvo</b> Attachment Plate</p> <p><b>No. ABMB636/VO</b> wgt. 2.30kg</p> <ul style="list-style-type: none"> <li>● Models FL7, FL10</li> <li>● For use on steel sub-frame</li> <li>● All body types – <i>Check for suitability</i></li> <li>● Epoxy coated 8mm steel</li> </ul>	<p><b>Volvo FM/FH Series</b> Lower Attachment Plate</p> <p><b>No. ABMB637/VO</b> wgt. 1.65kg</p> <ul style="list-style-type: none"> <li>● Epoxy coated 8mm steel <i>Check for suitability</i></li> </ul>

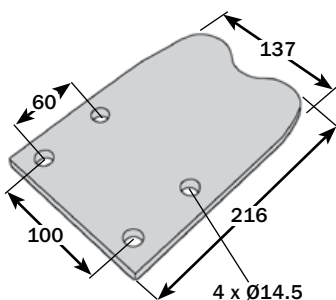
# BODY MOUNTING FITTINGS

<p><b>Volvo</b> Attachment Plate</p>  <p><b>No. ABMB638/VO</b> wgt. 1.00kg</p> <ul style="list-style-type: none"> <li>To suit models FE, FL Series <i>Check for suitability</i></li> <li>Epoxy coated 6mm fabricated steel</li> </ul>	<p><b>Scania</b> Series 4 &amp; P, R, T Series Upper Body Mounting Bracket Rigid Fixing</p>  <p><b>No. ABMB641/SCA</b> wgt. 0.57kg</p> <ul style="list-style-type: none"> <li>Epoxy coated 6mm fabricated steel – <i>Check for suitability</i></li> </ul>	<p><b>Scania</b> 4 &amp; P, R, T Series Upper Body Mounting Bracket Flexible Fixing</p>  <p><b>No. ABMB642/SCA</b> wgt. 0.55kg</p> <ul style="list-style-type: none"> <li>Bolt on <i>Check for suitability</i></li> <li>Epoxy coated 7.5mm fabricated steel</li> </ul>
<p><b>Scania</b> 4 &amp; P, R, T Series Upper Body Mounting Bracket Flexible Fixing</p>  <p><b>No. ABMB643/SCA</b> wgt. 0.57kg</p> <ul style="list-style-type: none"> <li>Weld on <i>Check for suitability</i></li> <li>Epoxy coated 7.5mm fabricated steel</li> </ul>	<p><b>Scania</b> Series 4 Lower Body Mounting Bracket Rigid Fixing</p>  <p><b>No. ABMB644/SCA</b> wgt. 0.71kg</p> <ul style="list-style-type: none"> <li>Epoxy coated 6mm fabricated steel – <i>Check for suitability</i></li> </ul>	<p><b>Scania</b> Series 4 Lower Body Mounting Bracket Flexible Fixing</p>  <p><b>No. ABMB645/SCA</b> wgt. 0.85kg</p> <ul style="list-style-type: none"> <li>Epoxy coated 6mm fabricated steel – <i>Check for suitability</i></li> </ul>



# BODY MOUNTING FITTINGS

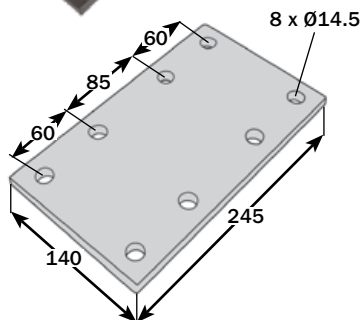
**Scania Series 4  
Attachment Plate**



**No. ABMB646/SCA**  
wgt. 2.65kg

- Bolt to chassis & weld to runner  
*Check for suitability*
- Epoxy coated 12mm steel

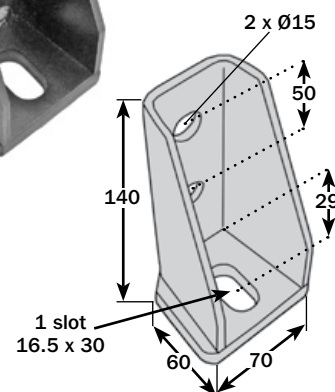
**Scania Series 4  
Attachment Plate**



**No. ABMB647/SCA**  
wgt. 3.05kg

- Chassis to runner attachment plate – *Check for suitability*
- Epoxy coated 12mm steel

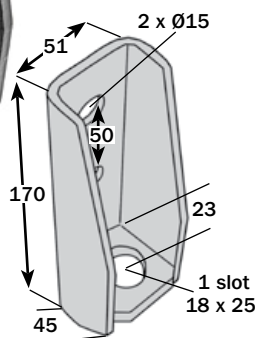
**Scania P, R, T Series  
Lower Bracket  
Rigid Fixing**



**No. ABMB648/SCA/PRT**  
wgt. 0.91kg

- Epoxy coated 5mm fabricated steel – *Check for suitability*
- For use with **ABMB641/SCA**

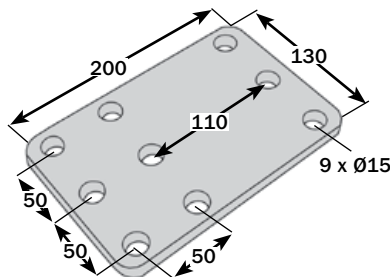
**Scania P, R, T Series  
Lower Bracket  
Flexible Fixing**



**No. ABMB649/SCA/PRT**  
wgt. 0.81kg

- For use with **ABMB642/SCA** or **ABMB643/SCA** – *Check for suitability*
- Epoxy coated 5mm fabricated steel

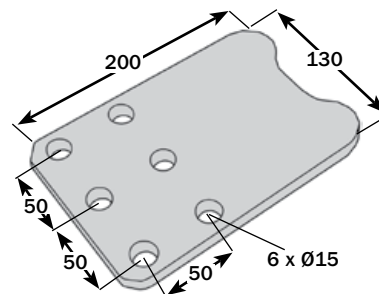
**Scania P, R, T Series  
Attachment Plate**



**No. ABMB650/SCA/PRT**  
wgt. 2.33kg

- Chassis to runner attachment Plate – *Check for suitability*
- Epoxy coated 12mm steel

**Scania P, R, T Series  
Attachment Plate**



**No. ABMB651/SCA/PRT**  
wgt. 2.33kg

- Chassis to runner attachment Plate – *Check for suitability*
- Epoxy coated 12mm steel

# BODY MOUNTING FITTINGS

## Balata Belting 10 Metre Rolls

*Balata Belting offers excellent weathering properties and resistance to ageing*



**No. ABMBB3/50** 10mtr x 50mm x 3 ply  
wgt. 2.95kg

**No. ABMBB5/50** 10mtr x 50mm x 5 ply  
wgt. 3.94kg

- 3 ply approximately 3.75mm thick
- 5 ply approximately 7.00mm thick

## Balata Belting 30 Metre Rolls

*Balata Belting offers excellent weathering properties and resistance to ageing*

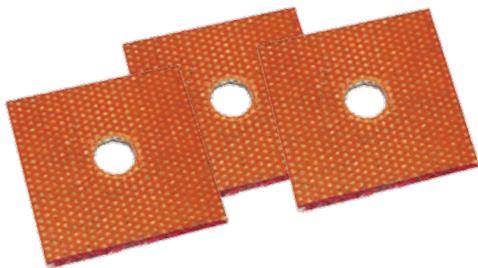


**No. ABMBB3/50/30** 30mtr x 50mm x 3 ply  
wgt. 6.36kg

**No. ABMBB3/75/30** 30mtr x 75mm x 3 ply  
wgt. 9.54kg

- 3 ply approximately 3.75mm thick

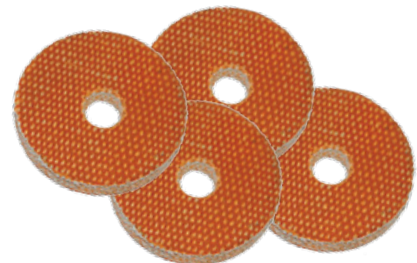
## Balata Packing Washer



**No. ABMBB3/SQ** 50mm x 50mm x 3 ply  
wgt. 0.014kg

- 1 x Ø12mm hole

## Balata Packing Washer



**No. ABMBB5/RD** Ø50mm x 5 ply  
wgt. 0.014kg

- 1 x Ø12mm hole

## Balata Packing Washer

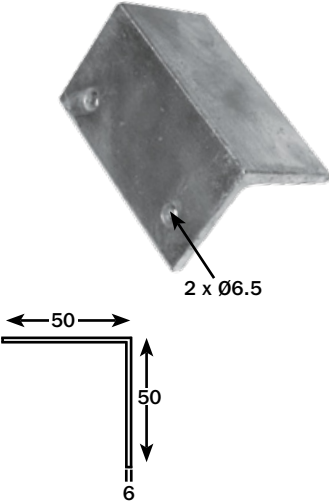
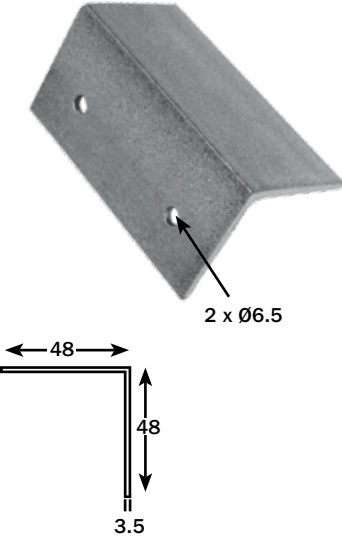
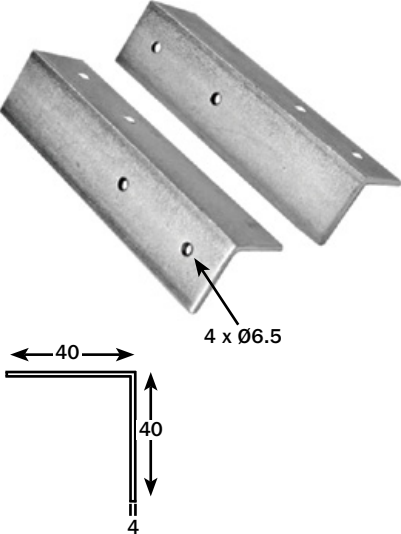
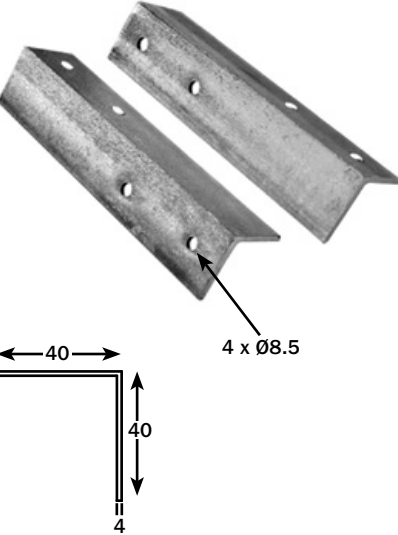
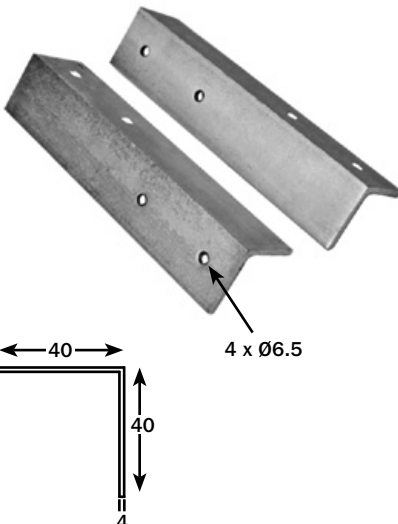
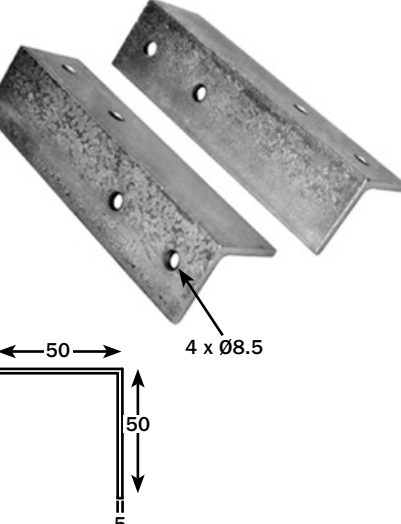
**No. ABMBB3/68RD** Ø68mm x 3 ply  
wgt. 0.020kg

**No. ABMBB3/85RD** Ø85mm x 3 ply  
wgt. 0.026kg

- 1 x Ø16mm hole
- Suits single bolt wing stay – see page 159-160

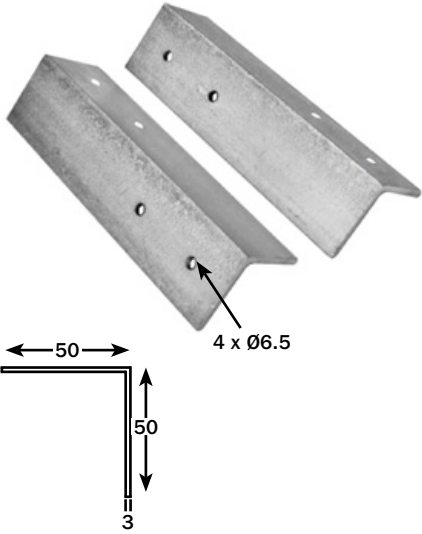
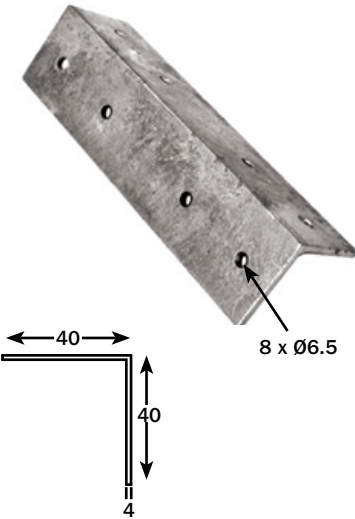
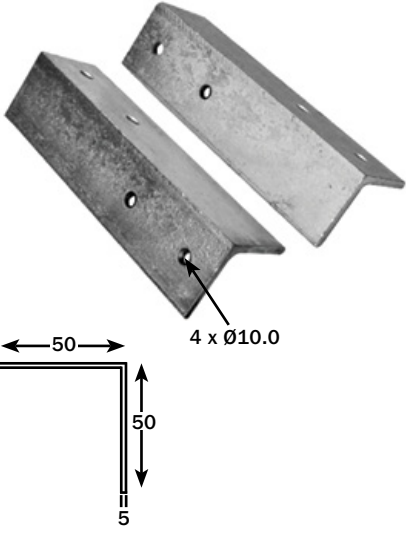
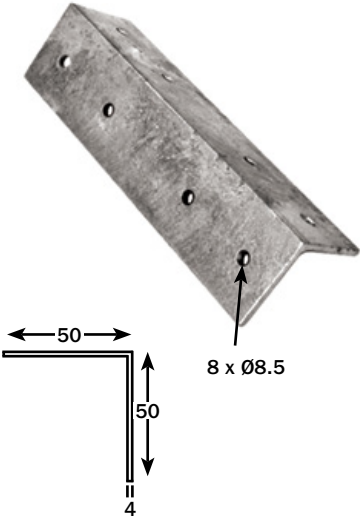
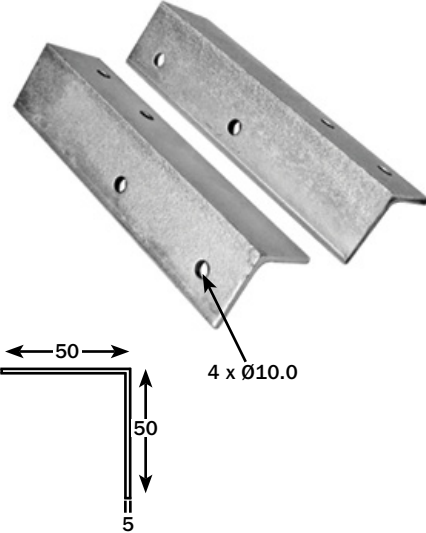
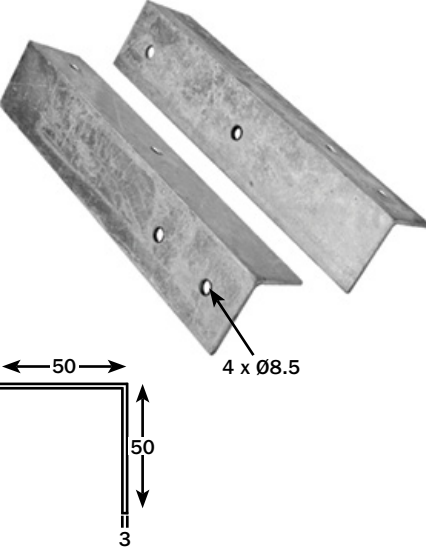


# BODY MOUNTING FITTINGS

<p><b>Bearer Cleat Plate</b> Universal Galvanized Steel</p>  <p>2 x Ø6.5</p> <p>No. <b>ABMB9050/6/UNIGV</b> wgt. 0.35kg each L90 x W50 x D50 x T6mm</p> <ul style="list-style-type: none"> <li>● 2 x Ø6.5mm holes</li> <li>● Sold singly</li> </ul>	<p><b>Bearer Cleat Plate</b> Universal Zinc Plated Steel</p>  <p>2 x Ø6.5</p> <p>No. <b>ABMB9548/6/UNIZP</b> wgt. 0.22kg each L95 x W48 x D48 x T3.5mm</p> <ul style="list-style-type: none"> <li>● 2 x Ø6.5mm holes</li> <li>● Sold singly</li> </ul>	<p><b>Runner Bearer Bracket</b> Zinc Plated Steel</p>  <p>4 x Ø6.5</p> <p>No. <b>ABMB16540/6/PRZP</b> wgt. 0.80kg pair L165 x W40 x D40 x T4mm</p> <ul style="list-style-type: none"> <li>● 4 x Ø6.5mm holes per bracket</li> <li>● Suits 100mm runner/75mm bearer</li> <li>● Sold in pairs</li> </ul>
<p><b>Runner Bearer Bracket</b> Zinc Plated Steel</p>  <p>4 x Ø8.5</p> <p>No. <b>ABMB19040/8/PRZP</b> wgt. 0.94kg pair L190 x W40 x D40 x T4mm</p> <ul style="list-style-type: none"> <li>● 4 x Ø8.5mm holes per bracket</li> <li>● Suits 100mm runner/100mm bearer</li> <li>● Sold in pairs</li> </ul>	<p><b>Runner Bearer Bracket</b> Zinc Plated Steel</p>  <p>4 x Ø6.5</p> <p>No. <b>ABMB19040/6/PRZP</b> wgt. 0.94kg pair L190 x W40 x D40 x T4mm</p> <ul style="list-style-type: none"> <li>● 4 x Ø6.5mm holes per bracket</li> <li>● Suits 100mm runner/100mm bearer</li> <li>● Sold in pairs</li> </ul>	<p><b>Runner Bearer Bracket</b> Zinc Plated Steel</p>  <p>4 x Ø8.5</p> <p>No. <b>ABMB19050/8/PRZP</b> wgt. 1.42kg pair L190 x W50 x D50 x T5mm</p> <ul style="list-style-type: none"> <li>● 4 x Ø8.5mm holes per bracket</li> <li>● Suits 100mm runner/100mm bearer</li> <li>● Sold in pairs</li> </ul>



# BODY MOUNTING FITTINGS

<p><b>Runner Bearer Bracket</b> Galvanized Steel</p>  <p><b>No. ABMB19050/6/PRGV</b> wgt. 0.70kg pair L190 x W50 x D50 x T3mm</p> <ul style="list-style-type: none"> <li>● 4 x Ø6.5mm holes per bracket</li> <li>● Suits 100mm runner/100mm bearer</li> <li>● Sold in pairs</li> </ul>	<p><b>Runner Bearer Bracket</b> Universal Galvanized Steel</p>  <p><b>No. ABMB19040/6/UNIGV</b> wgt. 0.40kg each L190 x W40 x D40 x T4mm</p> <ul style="list-style-type: none"> <li>● 8 x Ø6.5mm holes</li> <li>● Suits 100mm runner/100mm bearer</li> <li>● Sold singly</li> </ul>	<p><b>Runner Bearer Bracket</b> Zinc Plated Steel</p>  <p><b>No. ABMB19050/10/PRZP</b> wgt. 1.40kg pair L190 x W50 x D50 x T5mm</p> <ul style="list-style-type: none"> <li>● 4 x Ø10mm holes per bracket</li> <li>● Suits 100mm runner/100mm bearer</li> <li>● Sold in pairs</li> </ul>
<p><b>Runner Bearer Bracket</b> Universal Galvanized Steel</p>  <p><b>No. ABMB19050/8/UNIGV</b> wgt. 0.55kg each L190 x W50 x D50 x T4mm</p> <ul style="list-style-type: none"> <li>● 8 x Ø8.5mm holes per bracket</li> <li>● Suits 100mm runner/100mm bearer</li> <li>● Sold singly</li> </ul>	<p><b>Runner Bearer Bracket</b> Galvanized Steel</p>  <p><b>No. ABMB22050/10/PRGV</b> wgt. 1.51kg pair L220 x W50 x D50 x T5mm</p> <ul style="list-style-type: none"> <li>● 4 x Ø10mm holes per bracket</li> <li>● Suits 125mm runner/100mm bearer</li> <li>● Sold in pairs</li> </ul>	<p><b>Runner Bearer Bracket</b> Galvanized Steel</p>  <p><b>No. ABMB24050/8/PRGV</b> wgt. 0.89kg pair L240 x W50 x D50 x T3mm</p> <ul style="list-style-type: none"> <li>● 4 x Ø8.5mm holes per bracket</li> <li>● Suits 150mm runner/100mm bearer</li> <li>● Sold in pairs</li> </ul>